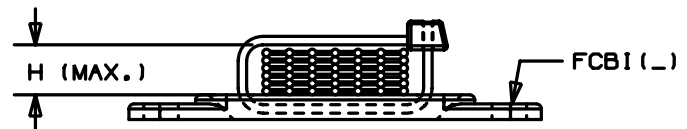
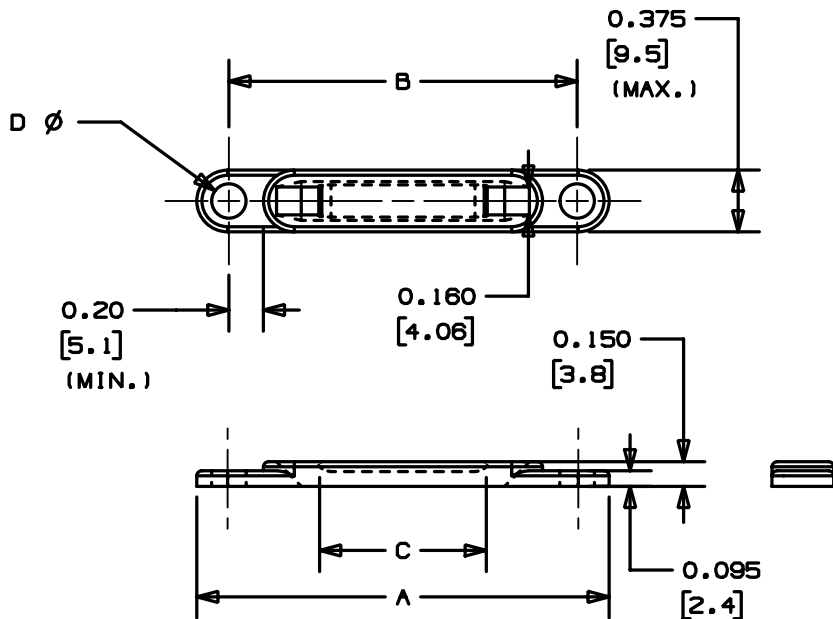


THIS COPY IS PROVIDED ON A RESTRICTED BASIS AND IS NOT TO BE USED IN ANY WAY DETRIMENTAL TO THE INTERESTS OF PANDUIT CORP.

PANDUIT PART NO. *	A MAX.	B	C MIN.	D HOLE SIZE	REC. FAST.	STACKING HEIGHT 'H' WHEN USED WITH INTERMEDIATE STRAPS				WEIGHT lbs / 100 pcs. (g)
						PLT1.5I	PLT2I	PLT3I	PLT4I	
FCBI1-S10	2.50 (83.5)	2.08 (52.8)	1.04 (26.4)	.200 (5.1)	#10 (MS) SCREW	.8 (20.3)	2.0 (50.8)	3.7 (94)	5.2 (132.1)	.30 (136.21)
FCBI1-A		NONE		NONE	ADH **					.33 (149.8)
FCBI2-S10	3.50 (88.9)	3.10 (78.7)	2.04 (51.8)	.200 (5.1)	#10 (MS) SCREW	-----	1.0 (25.4)	2.7 (68.6)	4.2 (106.7)	.43 (195.2)
FCBI2-A		NONE		NONE	ADH **					.46 (208.8)
FCBI3-S10	4.52 (114.8)	4.12 (104.6)	3.04 (77.2)	.200 (5.1)	#10 (MS) SCREW	-----	-----	1.7 (43.2)	3.2 (81.3)	.48 (263.3)
FCBI3-A		NONE		NONE	ADH **					.61 (277)



NOTES:

- \* 1. SEE CURRENT PRICE SHEET FOR PART NUMBER SUFFIX DESIGNATIONS FOR PACKAGE SIZE.
- \*\*2. CUSTOMER MUST FURNISH ADHESIVE.
- 3. PRODUCT CAN BE USED WITH PLATE FCP(\_), REFER TO GB0239KV.

DIMENSIONS IN BRACKETS ARE METRIC [ mm ]

CAD FILENAME/LAYERS G00239HY\_PB\_FCB1\_01

**PANDUIT** CORP. TINLEY PARK, ILLINOIS

FLAT CABLE MOUNT BASE  
FCBI1, FCB12, FCB13.

UNLESS OTHERWISE SPECIFIED,  
DIMENSIONAL TOLERANCES ARE:  
(.X) ±0.05 (1.3) (.XXX) ±0.010 (0.25)  
(.XX) ±0.02 (0.5) ANGLES ± 5°

UNLESS OTHERWISE SPECIFIED,  
ALL DIMENSIONS ARE GIVEN  
IN INCHES, THIRD ANGLE PROJECTION.

DRAWN BY  
JAD

MAT'L:

SCALE

NONE

DATE  
8/12/04

NYLON 6/6  
COLOR: BLACK

DRAWING NO.

GB0239HY

DWG  
SIZE  
A

REV	DATE	BY	CHK	DESCRIPTION	ECN	R	CUST	SUP
1	8/12/04	JAD		UPDATE NOTE 3, ADD * TO NOTE 1&2	GB0239HY	1		